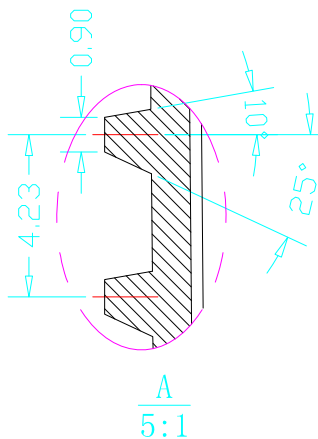
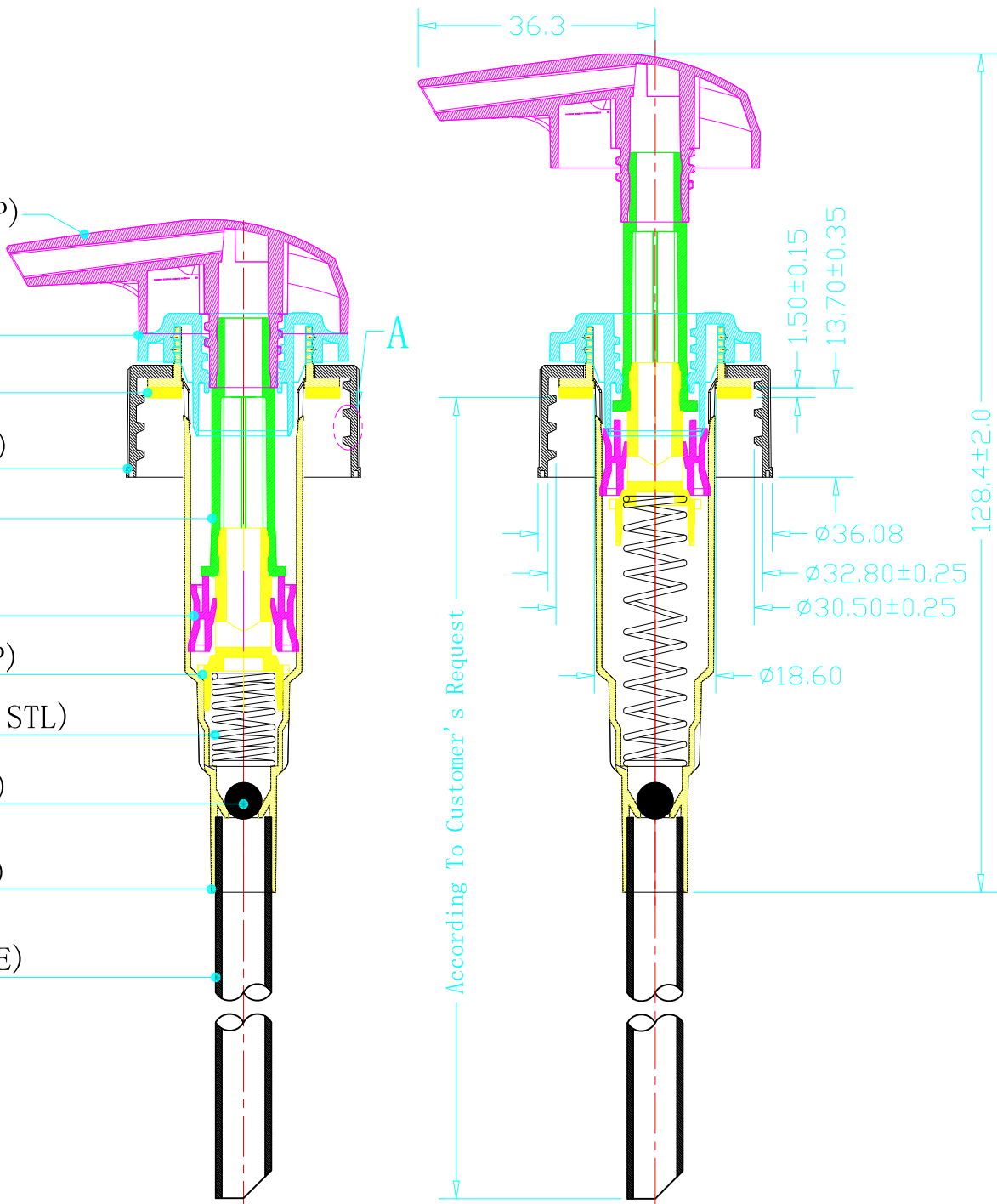


STYLE No. : L509SEV-33/410A

- ACTUATOR (PP)
- CHAPLET (PP)
- GASKET (PE)
- CLOSURE (PP)
- STEM (PP)
- PISTON (PE)
- SUB-STEM (PP)
- SPRING (STN STL)
- BALL (GLASS)
- HOUSING (PP)
- DIP TUBE (PE)



Unmarked Tolerance ±0.5mm

All Rights Reserved

				Material		Version		Quantity		<h1 style="text-align: center;">Assembly Drawing</h1>	
				Plastic		Cav					
				Unit		Rate		Visual angle			
				mm		1:1					
				Total 1 page(s)		The 1st page					
Item	L509SEV-33/410A			Approval							
Dwg No.	L509SEV-33/410A-A01			Marker							
Mould No.				Before modification							
Drawing	E:\L509			After modification							
Design	ZENGQIKUN20191122			Date							
Adult											